



TELEDYNE HASTINGS INSTRUMENTS
Everywhereyoulook™

HFM-201 Flow Meter

HFC-203 Flow Controller

MEDIUM CAPACITY FLOWMETERS AND CONTROLLERS

FEATURES

- $\pm 1\%$ full scale accuracy¹
- Input Power +/- 15 VDC or +24 VDC (specify when ordering)
- Available flow ranges:
0-25 slm to 0-1000 slm (N₂ Equivalent)
- NIST Traceable Calibration Certificate

APPLICATIONS

- Leak testing
- Flame Spray
- Aerospace

BENEFITS

- Excellent Stability
- Proven Reliability
- Outstanding Zero Stability

Flow Meters and Flow Controllers



DESCRIPTION

The Teledyne Hastings Instruments (THI) Model HFM Mass Flowmeter and HFC Mass Flow Controller represent a culmination of over 65 years of experience in designing and manufacturing reliable, high quality mass flow instruments.

The HFM/HFC Series of flow instruments is based on a modular design. At the heart of each instrument is an insulated thermal transfer sensor which provides enhanced zero stability. The HFC also features a two-stage, pilot-operated control valve.

All of these standard features, when coupled with the instrument's inherent linear response to flow changes and THI's long-proven reputation for quality, result in the finest flowmeters and flow controllers available today.



**TELEDYNE
HASTINGS INSTRUMENTS**
Everywhereyoulook™

Specifications and Standards

Optional Features

- Fittings –
 - VCR®
 - VCO®
 - NPT
 - Swagelok®,
- Seals -
 - Kalrez®
 - Neoprene
 - Buna-N
- Enhanced response time
- 4-20 mA converters
- Cleaned for Oxygen service

EMC

EN 61326-1

Accessories

Power Supplies available with:
Integral Flow Totalizer



Alarm Set Points
Interconnecting cables

THCD-100 Power Supply & Display

COMMON SPECIFICATIONS HFM-201/HFC-203

Accuracy¹	± 1.0% of F.S.
Repeatability	± 0.05% of F.S.
Maximum Operating Pressure	500 psi
Pressure Coefficient	+0.0067% /psi
Leak Integrity	< 1x10 ⁻⁹ sccs He
Temperature Coefficient (zero)	Zero ±.035%C of F.S. (0-60°C)
Temperature Coefficient (span)	Span ± .05%C of Rdg (0-60°C)
Standard Output	0 - 5 VDC
Optional Outputs	4 - 20 mA
Connector (±15 VDC)	15 - pin subminiature D
Connector (+24 VDC)	9 - pin subminiature D

SPECIFICATIONS HFM-201

Power Requirements (±15 VDC)	± (14-16) VDC @ ±30mA (<1 Watt)
Power Requirements (+24 VDC)	(14- 32) VDC (<1.9Watt)
Wetted Materials	302 SS, 316 SS, Nickel 200, Viton®
Weight (approx.)	201L - 3.55 lb (1.61 kg) / 201H - 3.25 lb (1.47 kg)

SPECIFICATIONS HFC-203

Power Requirements (±15 VDC)	± (14-16) VDC @ +60/-185 mA (< 3 Watt)
Power Requirements (+24 VDC)	(14- 32) VDC (<4.2 Watt)
Wetted Materials	302 SS, 316 SS, Nickel 200, Viton® Kalrez® (Valve Seat)
Setpoint Input	0-5 VDC (Std) /4-20mA (optional)
Weight (approx.)	203L - 5.20 lb (2.36 kg) / 203H - 5.15 lb (2.34 kg)

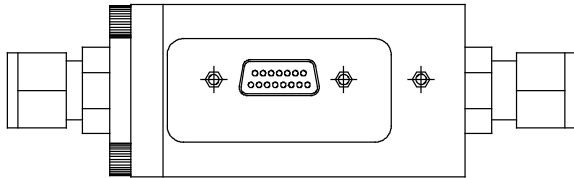
¹ See Product Manual for critical information on instrument accuracy and the use of GCFs (gas conversion factors). Stated accuracy is for nitrogen or other gas specific calibration and use with this gas only.

Hastings Instruments reserves the right to change or modify the design of its equipment without any obligation to provide notification of change or intent to change.

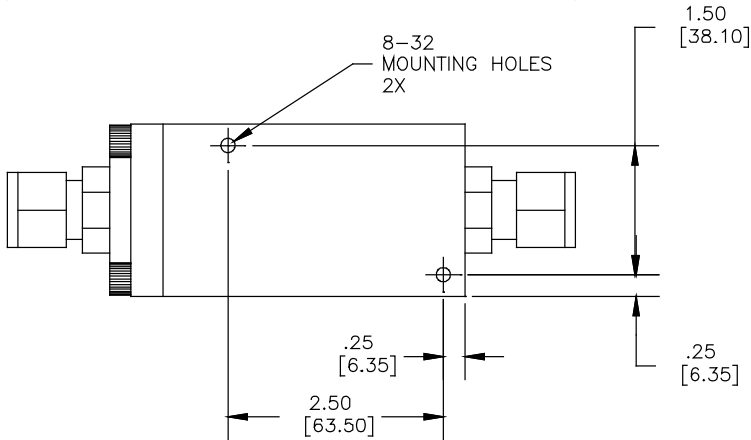
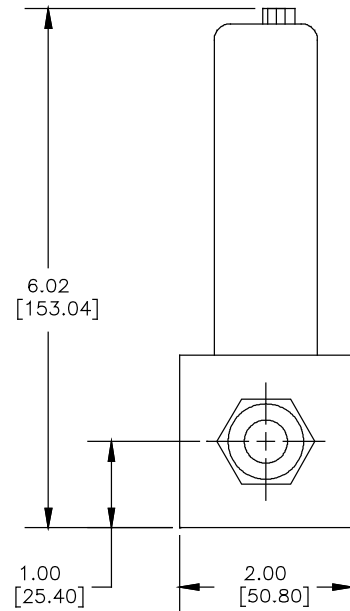
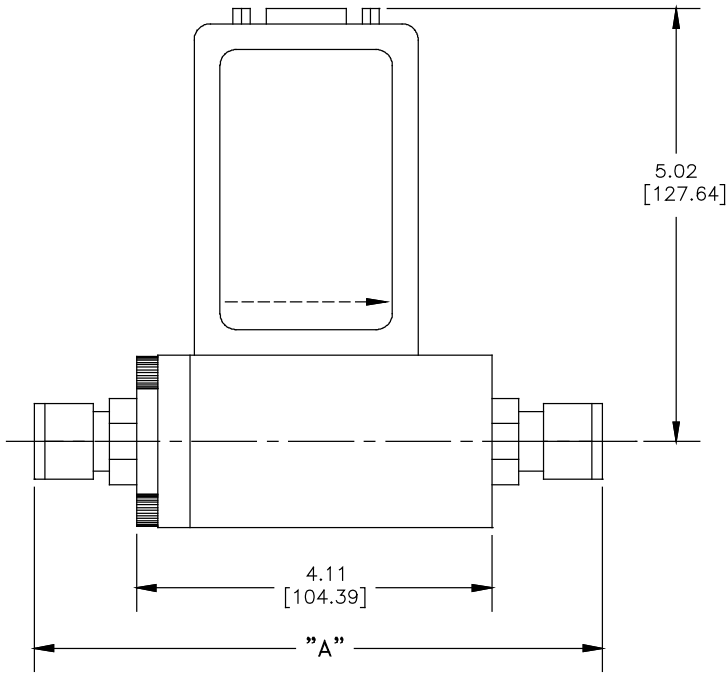
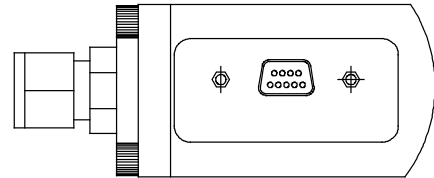
Viton® is a registered trademark of DuPont Performance Elastomers
Kalrez® is a registered trademark of DuPont Dow Elastomers
Teflon® is a registered trademark of E.I. DuPont de Nemours & Co.
VCR® is a registered trademark of Swagelok Company.

Outline Drawing: HFM-201 (L) Flow Meter

±15 VOLT VERSION



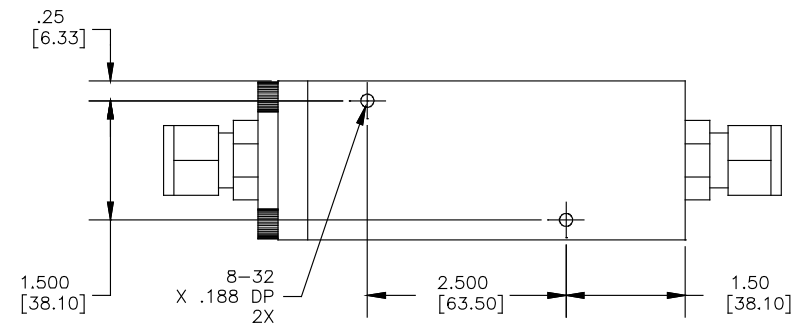
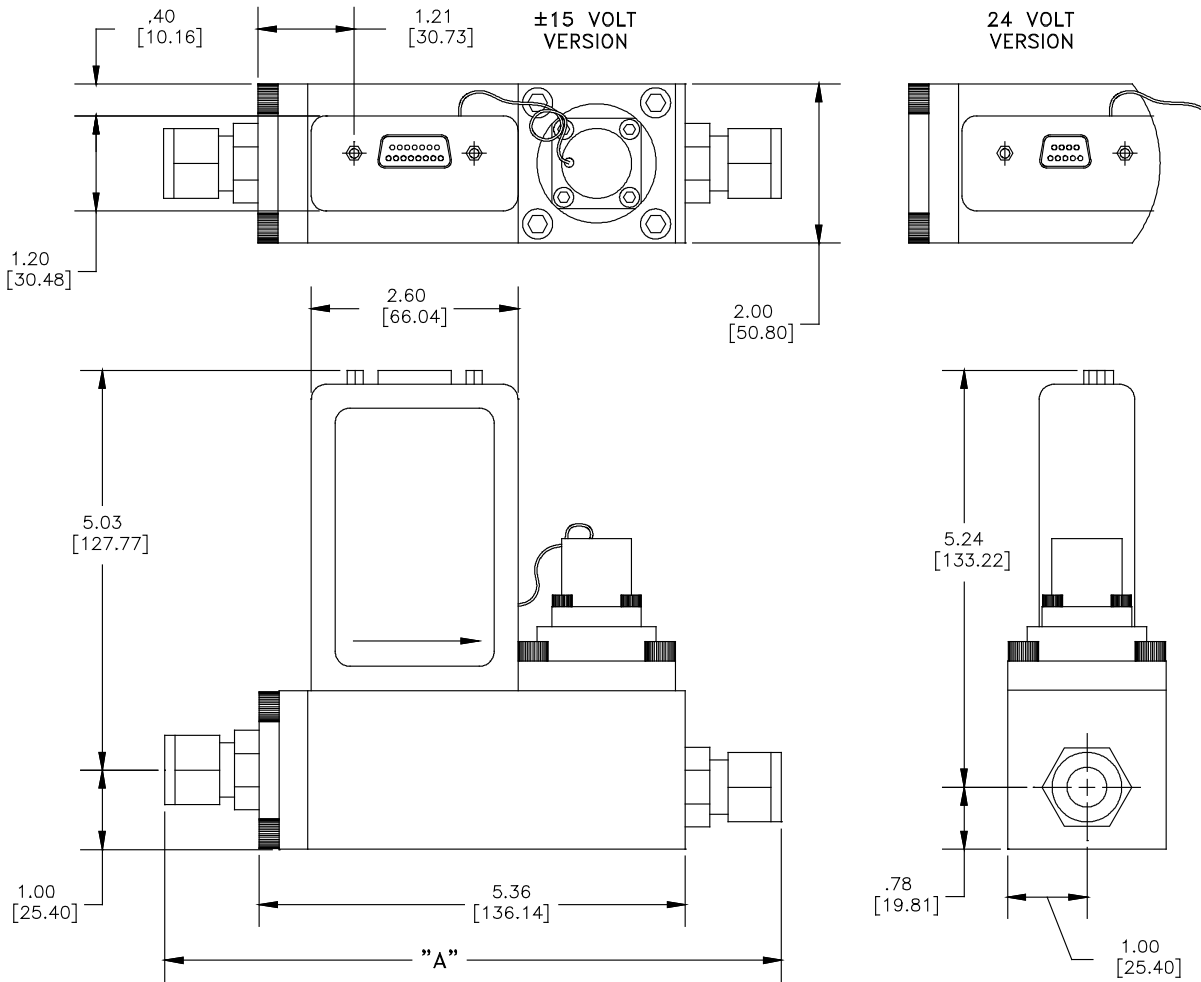
24 VOLT VERSION



1/2" BASE SIZE

FITTING TYPE	DIM "A"
3/4"-16 FEMALE (DIM B)	4.11 [104.39]
SWAG. 1/2" W NUT	6.31 [160.27]
SWAG. 1/2" BARE	5.73 [145.54]
VCO FACE 1/2"	6.17 [156.72]
VCR FACE 1/2"	6.55 [166.37]
12mm SWAGELOK	6.55 [166.37]
10mm SWAGELOK	6.37 [161.79]
3/8" MALE NPT	6.01 [152.65]
1/2" MALE NPT	6.33 [160.78]

Outline Drawing: HFC-203 (L) Flow Controller

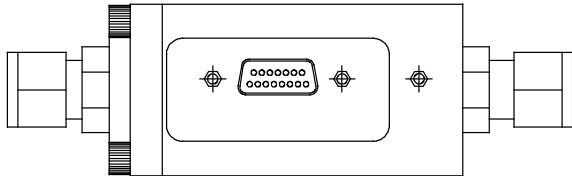


1/2" BASE SIZE

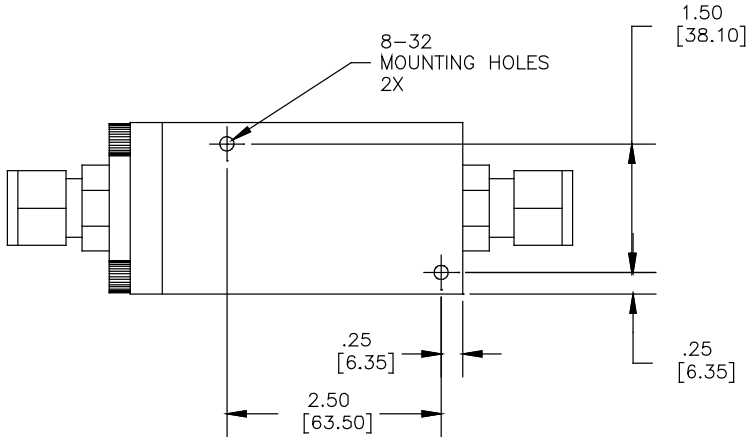
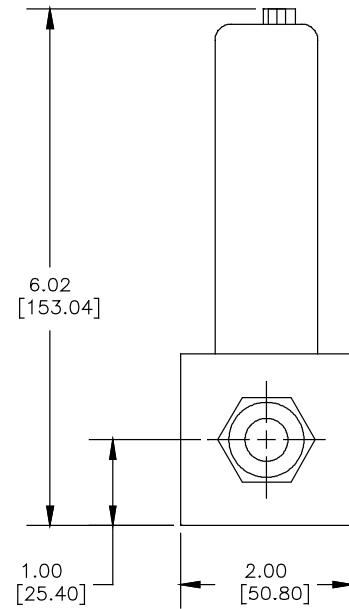
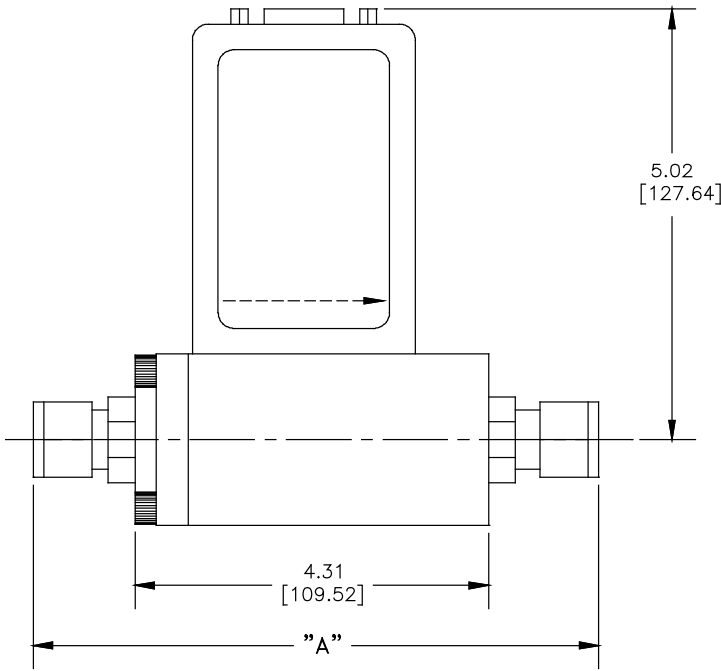
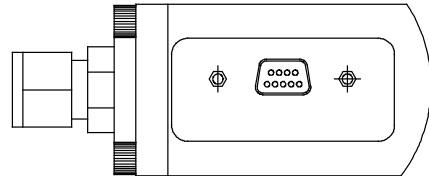
FITTING TYPE	DIM "A"
3/4"-16 FEMALE (DIM B)	5.36 [136.14]
SWAG. 1/2" W NUT	7.56 [192.02]
SWAG. 1/2" BARE	6.98 [177.29]
VCO FACE 1/2"	7.42 [188.47]
VCR FACE 1/2"	7.80 [198.12]
12mm SWAGELOK	7.78 [197.61]
10mm SWAGELOK	7.60 [193.04]
3/8" MALE NPT	7.24 [183.89]
1/2" MALE NPT	6.33 [160.78]

Outline Drawing: HFM-201 (H) Flow Meter

±15 VOLT
VERSION



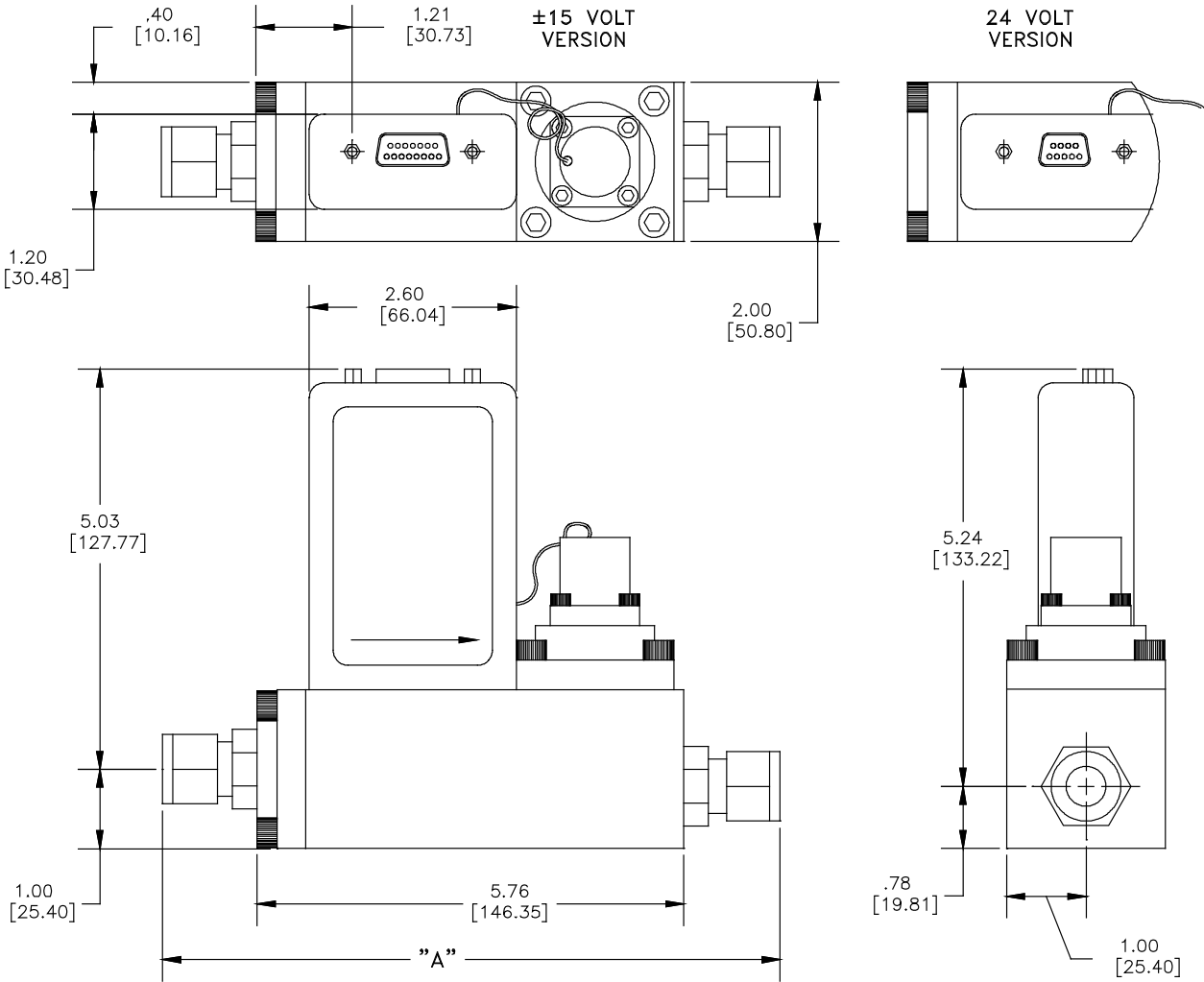
24 VOLT
VERSION



3/4" BASE SIZE

FITTING TYPE	inches-mm
1 1/16-12 FEMALE (DIM B)	4.31 [109.52]
3/4" SWAGELOK	6.99 [177.60]
20mm SWAGELOK	6.96 [176.83]
3/4" VCO FACE	6.59 [167.44]
3/4" VCR FACE	7.52 [191.06]

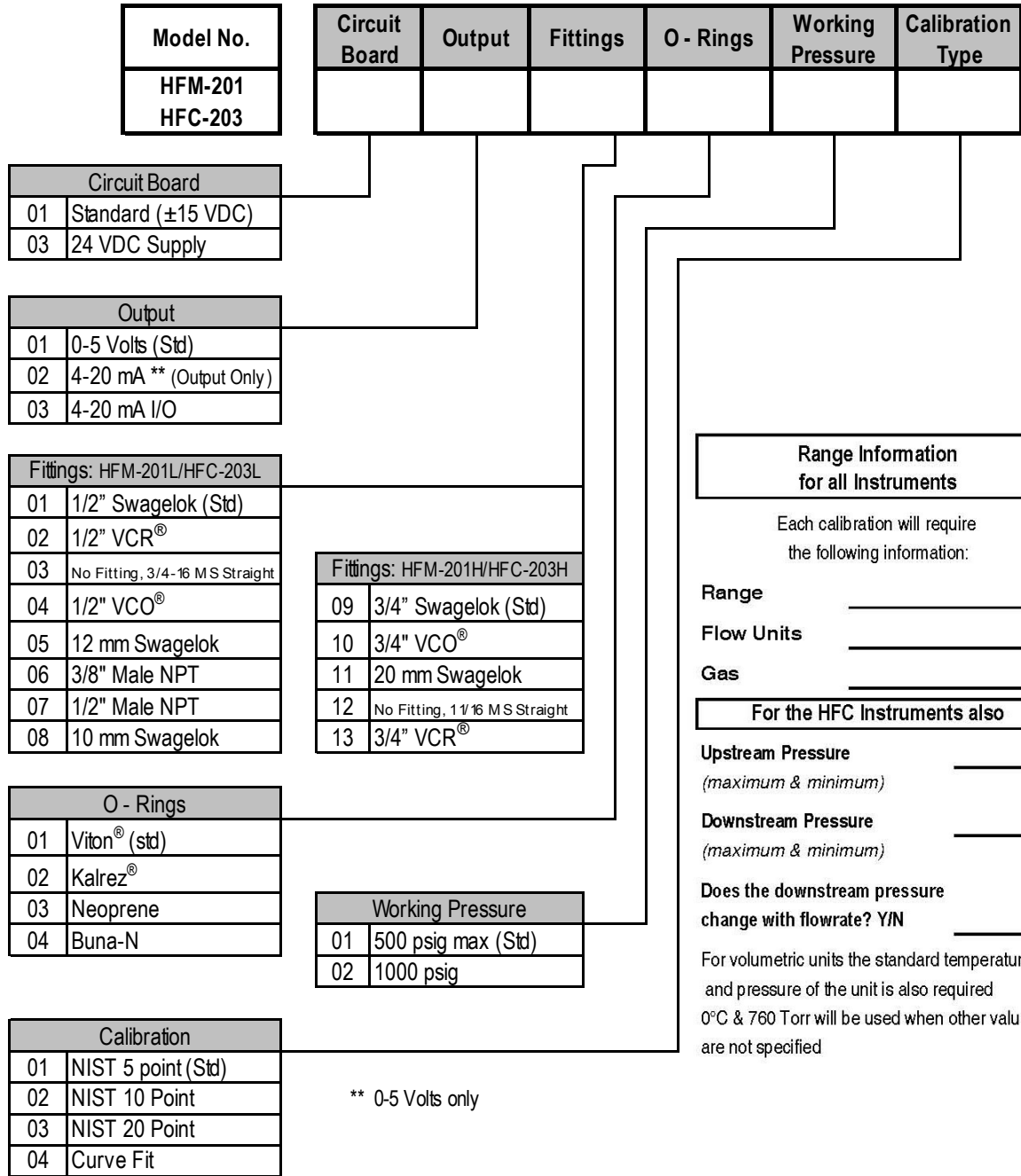
Outline Drawing: HFC-203 (H) Flow Controller



3/4" BASE SIZE

FITTING TYPE	inches—mm
1 1/16-12 FEMALE (DIM B)	5.76 [146.35]
3/4" SWAGELOK	8.44 [214.43]
20mm SWAGELOK	8.41 [213.66]
3/4" VCO FACE	8.04 [204.27]
3/4" VCR FACE	8.97 [227.89]

Selection Chart



Telephone: (757) 723-6531
Toll Free: (800) 950-2468
Fax: (757) 723-3925
World Wide Web: <http://www.teledyne-hi.com>
E-mail: hastings_instruments@teledyne.com
804 Newcombe Ave.
Hampton, VA 23669